



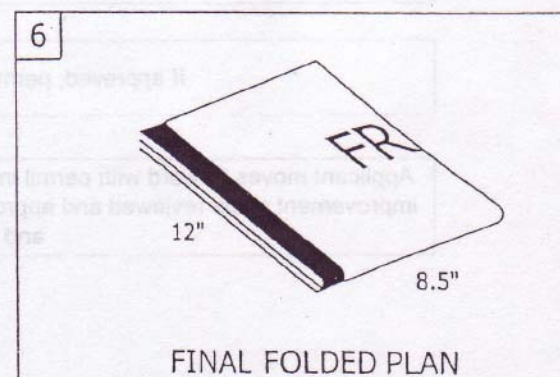
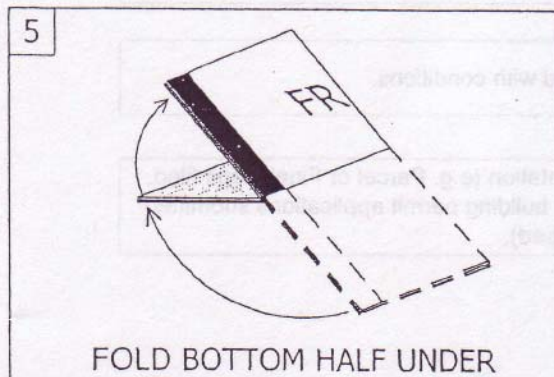
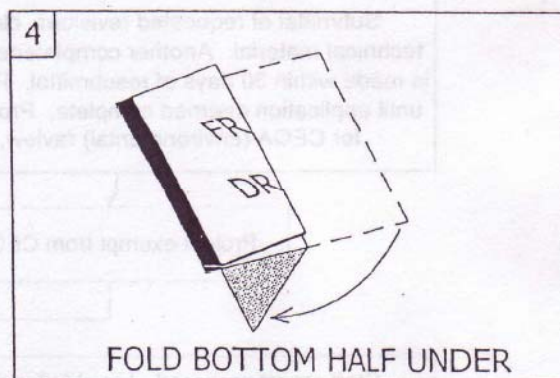
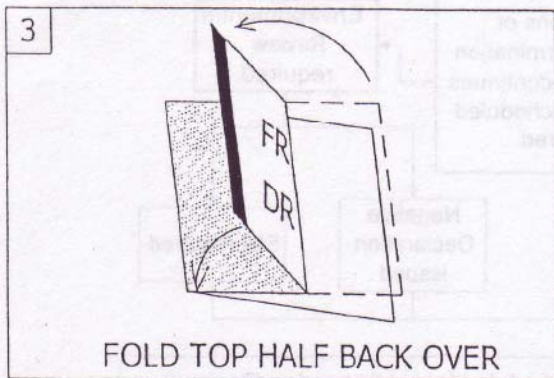
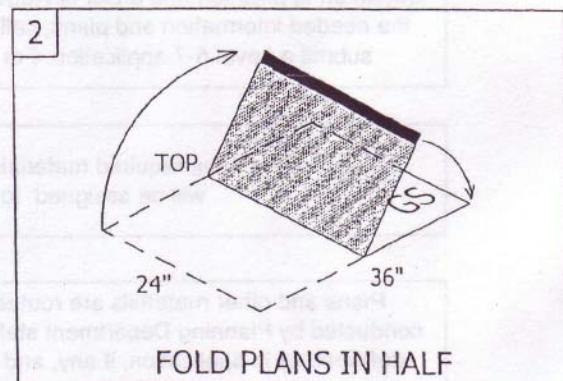
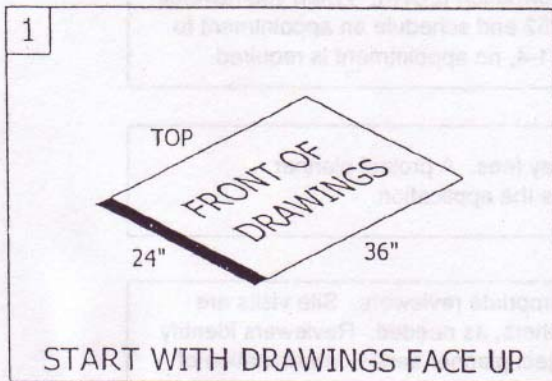
COUNTY OF SANTA CRUZ

PLANNING DEPARTMENT

701 OCEAN STREET, 4TH FLOOR, SANTA CRUZ, CA 95060
(831) 454-2580 FAX: (831) 454-2131 TDD: (831) 454-2123

How to Fold Plans

THIS FORMAT TO BE USED FOR "D" SIZED (24" X 36") SHEETS



FOR OTHER SIZED SHEETS (18" X 24"), PLEASE TALK WITH A BUILDING PERMIT TECH